



**4MM THIN
FRONT PLATE**



**CURVED SWITCH
DESIGN FOR
PREMIUM LOOK**



**AVAILABLE
IN MULTIPLE
COLORS**



**REINFORCED WITH
A STRONG METAL
GRID PLATE**



**ISI MARKED
FAN SPEED
CONTROLLER**



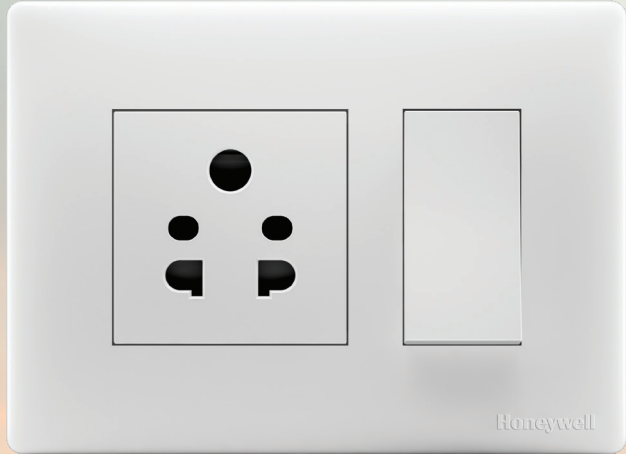
**BIS APPROVED
2.4A USB CHARGER**

HORIZON

Blend of Design & Grace



Honeywell



HORIZON

Blend of Design & Grace

HORIZON

Aesthetics is all about combining various elements of design in a visually appealing manner. Every colour and object you add contributes to the overall look and feel. So, if you are looking for the right elements to work together and create magic, then look no further.

Introducing Horizon - the perfect blend of design and grace. Horizon imparts a classy look by combining a stylish curved design, slim form factor and a choice of colours. Choose Horizon and start designing aesthetic masterpieces.



**SLEEK
AND
STYLISH**

HORIZON | Blend of Design & Grace

**4MM THIN
FRONT PLATE**

Horizon brings together flair and function. The 4mm thin front plate is the slimmest in this segment. These super-slim front plates ensure that the switches blend with the wall thereby reducing the dust deposition at the edges. A perfect balance of stylish design and outstanding functionality, Horizon effortlessly makes your space elegant.





CURVED SWITCH DESIGN FOR PREMIUM LOOK

Horizon spices up the aesthetics with graceful curved accents. The geometric perfection of the curves that define Horizon's design goes a long way in adding a premium look and feel.

CURVED BEYOND IMAGINATION





A SPECTACULAR SHOW OF COLOURS

AVAILABLE
IN MULTIPLE
COLOURS

Horizon comes in a multitude of colours and brightens up the space by striking the perfect match of colours. Horizon gives a great finishing touch, regardless of the hues and accents with which you have decorated.





STRONG AND RESILIENT

**REINFORCED
WITH A STRONG
METAL GRID
PLATE**

Horizon is the first in its segment to offer metal grid plates for all modules. The metal grid plate underneath reinforces the front plate and increases its structural rigidity so that it remains intact even after years of rigorous use. Horizon redefines sturdiness by complementing the classy design with robust underpinnings.





A BRIGHT STREAK OF QUALITY

HORIZON | Blend of Design & Grace

ISI MARKED FAN SPEED CONTROLLER

Horizon comes with impeccable safety and quality. The fan speed controller, for instance, bears the ISI mark and features a robust knob with firm grip. It ensures uniform fan speed and humming-free operation, delivers 99.99% efficiency, and imparts the feeling of reassuring quality every time.





AN ELEGANT
INTERPLAY
OF STYLE
AND POWER

**BIS APPROVED
2.4A USB
CHARGER**

Charge your electronic devices in style with the BIS approved Horizon 2.4A USB charger. The charger is flush with the frontplate and provides clean aesthetics. It is rated for higher output, and it charges your electronic devices quickly and reliably.



HORIZON WIRING DEVICES

SWITCHES - WHITE

| ItemCode | Description | Module | Carton Qty.* |
|----------|--------------------------------------|--------|--------------|
| HW501WHI | 6AX One Way Switch | 1M | 20 |
| HW502WHI | 6AX Two Way Switch | 1M | 20 |
| HW503WHI | 6AX One Way Switch with Indicator | 1M | 20 |
| HW411WHI | 16AX One Way Switch | 1M | 20 |
| HW412WHI | 16AX Two Way Switch | 1M | 20 |
| HW413WHI | 16AX One Way Switch with Indicator | 1M | 20 |
| HW220WHI | 25A SP One Way Switch with Indicator | 1M | 20 |
| HW224WHI | 32A DP Switch with Indicator | 2M | 12 |
| HW505WHI | 6A Bell Push Switch | 1M | 20 |
| HW504WHI | 6A Bell Push Switch with Indicator | 2M | 12 |

SOCKETS - WHITE

| ItemCode | Description | Module | Carton Qty.* |
|----------|-----------------------------------|--------|--------------|
| HW420WHI | 6A Universal Socket | 2M | 12 |
| HW421WHI | 6A Round Pin Socket (ISI Marked) | 2M | 12 |
| HW424WHI | 6/16A Socket (ISI Marked) | 2M | 12 |
| HW426WHI | International Socket For 6/10/13A | 2M | 12 |
| HW425WHI | 25A Socket | 2M | 12 |

FAN SPEED CONTROLLER AND DIMMER - WHITE

| ItemCode | Description | Module | Carton Qty.* |
|----------|--|--------|--------------|
| HW471WHI | 100W 4 Step Fan Speed Controller (ISI) | 1M | 15 |
| HW472WHI | 120W 5 Step Fan Speed Controller (ISI) | 2M | 8 |
| HW480WHI | 400W Dimmer | 2M | 8 |

MINI TRIP MCB AND MOTOR STARTER - WHITE

| ItemCode | Description | Module | Carton Qty.* |
|----------|---------------------|--------|--------------|
| HW217WHI | 25A Motor Starter | 2M | 6 |
| HW227WHI | 25A SP Minitrip MCB | 1M | 12 |
| HW228WHI | 25A DP Minitrip MCB | 2M | 6 |

COMMUNICATION ACCESSORIES - WHITE

| ItemCode | Description | Module | Carton Qty.* |
|----------|--------------------------|--------|--------------|
| HW493WHI | RJ45 CAT6A | 1M | 20 |
| HW491WHI | RJ45 Receptor | 1M | 20 |
| HW492WHI | RJ11 2 Line with Shutter | 1M | 20 |

HORIZON WIRING DEVICES

SUPPORT ACCESSORIES - WHITE

| ItemCode | Description | Module | Carton Qty.* |
|----------|---------------------------|--------|--------------|
| HW441WHI | Blank Plate | 1M | 20 |
| HW451WHI | TV Coaxial Socket Outlet | 1M | 20 |
| HW462WHI | Satellite Cable TV Outlet | 1M | 20 |
| HW595WHI | Red Neon Indicator | 1M | 20 |
| HW586WHI | 2.1A 1 Port USB Charger | 1M | 15 |
| HW587WHI | 2.4A 2 Port USB Charger | 2M | 6 |

HOSPITALITY ACCESSORIES - WHITE

| ItemCode | Description | Module | Carton Qty.* |
|----------|--------------------------------|--------|--------------|
| HW901WHI | DND Indicator | 1M | 20 |
| HW414WHI | Two Way Switch with DND Mark | 1M | 20 |
| HW902WHI | MMR Indicator | 1M | 20 |
| HW415WHI | Two Way Switch with MMR Mark | 1M | 20 |
| HW529WHI | Shaver Socket | 3M | 1 |
| HW527WHI | Energy Key Tag with Time Delay | 3M | 1 |
| HW530WHI | LED Foot Lamp | 2M | 10 |

FRONT PLATES - WHITE

| ItemCode | Description | Module | Carton Qty.* |
|----------|---------------------------------|--------|--------------|
| HW101WHI | 1 Module Front Plate | 1M | 10 |
| HW102WHI | 2 Module Front Plate | 2M | 10 |
| HW103WHI | 3 Module Front Plate | 3M | 8 |
| HW104WHI | 4 Module Front Plate | 4M | 8 |
| HW106WHI | 6 Module Front Plate | 6M | 8 |
| HW18HWHI | 8 Module Horizontal Front Plate | 8M (H) | 4 |
| HW18VWHI | 8 Module Square Front Plate | 8M (S) | 4 |
| HW112WHI | 12 Module Front Plate | 12M | 4 |
| HW116WHI | 16 Module Front Plate | 16M | 4 |
| HW118WHI | 18 Module Front Plate | 18M | 3 |

HORIZON WIRING DEVICES

SWITCHES - JET BLACK

| ItemCode | Description | Module | Carton Qty.* |
|----------|--------------------------------------|--------|--------------|
| HW501BLK | 6AX One Way Switch | 1M | 20 |
| HW502BLK | 6AX Two Way Switch | 1M | 20 |
| HW411BLK | 16AX One Way Switch | 1M | 20 |
| HW413BLK | 16AX One Way Switch with Indicator | 1M | 20 |
| HW220BLK | 25A SP One Way Switch with Indicator | 1M | 20 |
| HW224BLK | 32A DP Switch with Indicator | 2M | 12 |
| HW505BLK | 6A Bell Push Switch | 1M | 20 |

SOCKETS - JET BLACK

| ItemCode | Description | Module | Carton Qty.* |
|----------|-----------------------------------|--------|--------------|
| HW420BLK | 6A Universal Socket | 2M | 12 |
| HW424BLK | 6/16A Socket (ISI Marked) | 2M | 12 |
| HW426BLK | International Socket For 6/10/13A | 2M | 12 |

FAN SPEED CONTROLLER - JET BLACK

| ItemCode | Description | Module | Carton Qty.* |
|----------|--|--------|--------------|
| HW472BLK | 120W 5 Step Fan Speed Controller (ISI) | 2M | 8 |

MINI TRIP MCB AND MOTOR STARTER - JET BLACK

| ItemCode | Description | Module | Carton Qty.* |
|----------|---------------------|--------|--------------|
| HW217BLK | 25A Motor Starter | 2M | 6 |
| HW227BLK | 25A SP Minitrip MCB | 1M | 12 |

COMMUNICATION ACCESSORIES - JET BLACK

| ItemCode | Description | Module | Carton Qty.* |
|----------|--------------------------|--------|--------------|
| HW493BLK | RJ45 CAT6A | 1M | 20 |
| HW491BLK | RJ45 Receptor | 1M | 20 |
| HW492BLK | RJ11 2 Line with Shutter | 1M | 20 |

SUPPORT ACCESSORIES - JET BLACK

| ItemCode | Description | Module | Carton Qty.* |
|----------|---------------------------|--------|--------------|
| HW441BLK | Blank Plate | 1M | 20 |
| HW462BLK | Satellite Cable TV Outlet | 1M | 20 |

FRONT PLATES - JET BLACK

| ItemCode | Description | Module | Carton Qty.* |
|----------|---------------------------------|--------|--------------|
| HW101BLK | 1 Module Front Plate | 1M | 10 |
| HW102BLK | 2 Module Front Plate | 2M | 10 |
| HW103BLK | 3 Module Front Plate | 3M | 8 |
| HW104BLK | 4 Module Front Plate | 4M | 8 |
| HW106BLK | 6 Module Front Plate | 6M | 8 |
| HW18HBLK | 8 Module Horizontal Front Plate | 8M (H) | 4 |
| HW18VBLK | 8 Module Square Front Plate | 8M (S) | 4 |
| HW112BLK | 12 Module Front Plate | 12M | 4 |
| HW116BLK | 16 Module Front Plate | 16M | 4 |
| HW118BLK | 18 Module Front Plate | 18M | 3 |

HORIZON WIRING DEVICES

SWITCHES - GRAPHITE GREY

| ItemCode | Description | Module | Carton Qty.* |
|----------|--------------------------------------|--------|--------------|
| HW501GRY | 6AX One Way Switch | 1M | 20 |
| HW502GRY | 6AX Two Way Switch | 1M | 20 |
| HW411GRY | 16AX One Way Switch | 1M | 20 |
| HW413GRY | 16AX One Way Switch with Indicator | 1M | 20 |
| HW220GRY | 25A SP One Way Switch with Indicator | 1M | 20 |
| HW224GRY | 32A DP Switch with Indicator | 2M | 12 |
| HW505GRY | 6A Bell Push Switch | 1M | 20 |

SOCKETS - GRAPHITE GREY

| ItemCode | Description | Module | Carton Qty.* |
|----------|-----------------------------------|--------|--------------|
| HW420GRY | 6A Universal Socket | 2M | 12 |
| HW424GRY | 6/16A Socket (ISI Marked) | 2M | 12 |
| HW426GRY | International Socket For 6/10/13A | 2M | 12 |

FAN SPEED CONTROLLER - GRAPHITE GREY

| ItemCode | Description | Module | Carton Qty.* |
|----------|--|--------|--------------|
| HW472GRY | 120W 5 Step Fan Speed Controller (ISI) | 2M | 8 |

MINI TRIP MCB AND MOTOR STARTER - GRAPHITE GREY

| ItemCode | Description | Module | Carton Qty.* |
|----------|---------------------|--------|--------------|
| HW217GRY | 25A Motor Starter | 2M | 6 |
| HW227GRY | 25A SP Minitrip MCB | 1M | 12 |

COMMUNICATION ACCESSORIES - GRAPHITE GREY

| ItemCode | Description | Module | Carton Qty.* |
|----------|--------------------------|--------|--------------|
| HW493GRY | RJ45 CAT6A | 1M | 20 |
| HW491GRY | RJ45 Receptor | 1M | 20 |
| HW492GRY | RJ11 2 Line with Shutter | 1M | 20 |

SUPPORT ACCESSORIES - GRAPHITE GREY

| ItemCode | Description | Module | Carton Qty.* |
|----------|---------------------------|--------|--------------|
| HW441GRY | Blank Plate | 1M | 20 |
| HW462GRY | Satellite Cable TV Outlet | 1M | 20 |

FRONT PLATES - GRAPHITE GREY

| ItemCode | Description | Module | Carton Qty.* |
|----------|---------------------------------|--------|--------------|
| HW101GRY | 1 Module Front Plate | 1M | 10 |
| HW102GRY | 2 Module Front Plate | 2M | 10 |
| HW103GRY | 3 Module Front Plate | 3M | 8 |
| HW104GRY | 4 Module Front Plate | 4M | 8 |
| HW106GRY | 6 Module Front Plate | 6M | 8 |
| HW18HGRY | 8 Module Horizontal Front Plate | 8M (H) | 4 |
| HW18VGRY | 8 Module Square Front Plate | 8M (S) | 4 |
| HW112GRY | 12 Module Front Plate | 12M | 4 |
| HW116GRY | 16 Module Front Plate | 16M | 4 |
| HW118GRY | 18 Module Front Plate | 18M | 3 |

HORIZON WIRING DEVICES

FRONT PLATES - RED OAK WOOD

| ItemCode | Description | Module | Carton Qty.* |
|----------|---------------------------------|--------|--------------|
| HW101WDD | 1 Module Front Plate | 1M | 10 |
| HW102WDD | 2 Module Front Plate | 2M | 10 |
| HW103WDD | 3 Module Front Plate | 3M | 8 |
| HW104WDD | 4 Module Front Plate | 4M | 8 |
| HW106WDD | 6 Module Front Plate | 6M | 8 |
| HW18HWDD | 8 Module Horizontal Front Plate | 8M (H) | 4 |
| HW18VWDD | 8 Module Square Front Plate | 8M (S) | 4 |
| HW112WDD | 12 Module Front Plate | 12M | 4 |
| HW116WDD | 16 Module Front Plate | 16M | 4 |
| HW118WDD | 18 Module Front Plate | 18M | 3 |

FRONT PLATES - CRIMSON RED

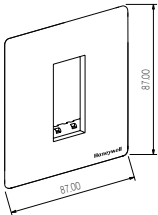
| ItemCode | Description | Module | Carton Qty.* |
|----------|---------------------------------|--------|--------------|
| HW101RED | 1 Module Front Plate | 1M | 10 |
| HW102RED | 2 Module Front Plate | 2M | 10 |
| HW103RED | 3 Module Front Plate | 3M | 8 |
| HW104RED | 4 Module Front Plate | 4M | 8 |
| HW106RED | 6 Module Front Plate | 6M | 8 |
| HW18HRED | 8 Module Horizontal Front Plate | 8M (H) | 4 |
| HW18VRED | 8 Module Square Front Plate | 8M (S) | 4 |
| HW112RED | 12 Module Front Plate | 12M | 4 |
| HW116RED | 16 Module Front Plate | 16M | 4 |
| HW118RED | 18 Module Front Plate | 18M | 3 |

FRONT PLATES - CHAMPAGNE GOLD

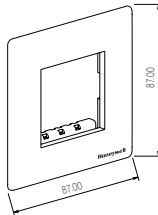
| ItemCode | Description | Module | Carton Qty.* |
|----------|---------------------------------|--------|--------------|
| HW101GLD | 1 Module Front Plate | 1M | 10 |
| HW102GLD | 2 Module Front Plate | 2M | 10 |
| HW103GLD | 3 Module Front Plate | 3M | 8 |
| HW104GLD | 4 Module Front Plate | 4M | 8 |
| HW106GLD | 6 Module Front Plate | 6M | 8 |
| HW18HGLD | 8 Module Horizontal Front Plate | 8M (H) | 4 |
| HW18VGLD | 8 Module Square Front Plate | 8M (S) | 4 |
| HW112GLD | 12 Module Front Plate | 12M | 4 |
| HW116GLD | 16 Module Front Plate | 16M | 4 |
| HW118GLD | 18 Module Front Plate | 18M | 3 |

FRONT PLATES

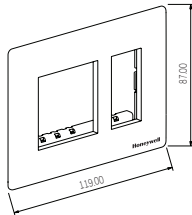
DIMENSIONS



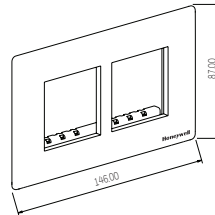
1M



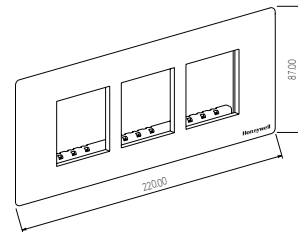
2M



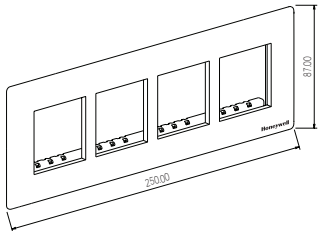
3M



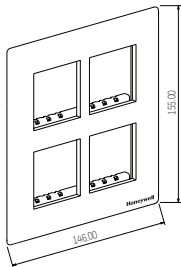
4M



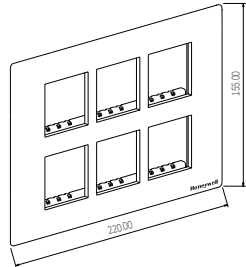
6M



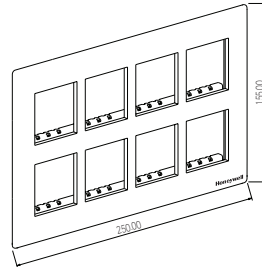
8M (H)



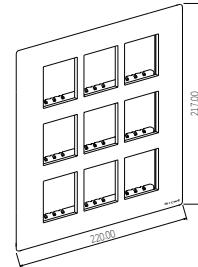
8M (S)



12M



16M

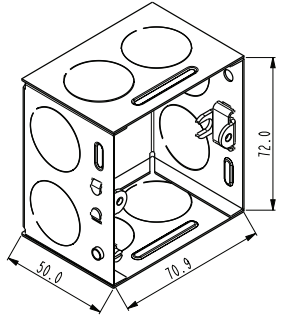


18M

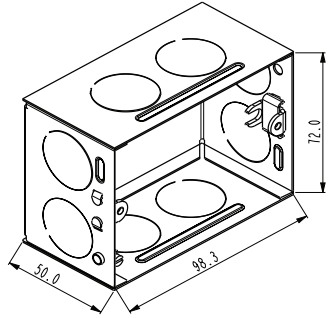
All dimensions are in mm.

METAL BOXES

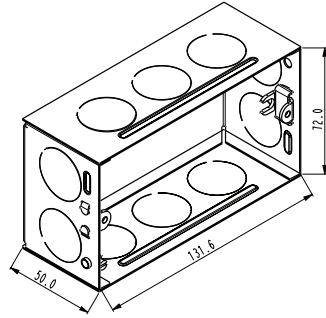
DIMENSIONS



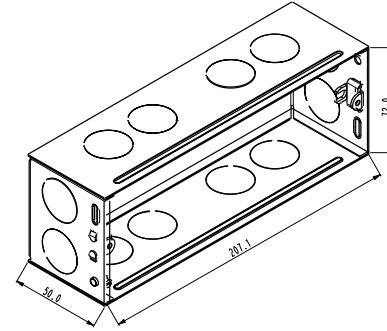
1M & 2M



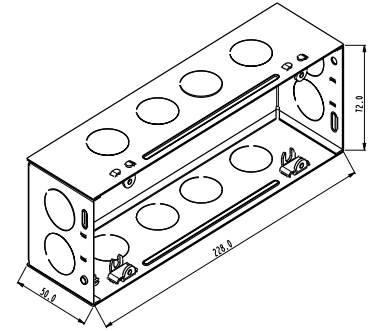
3M



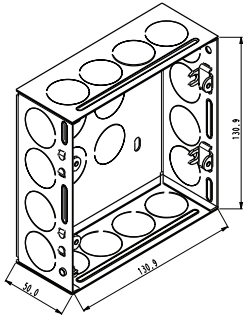
4M



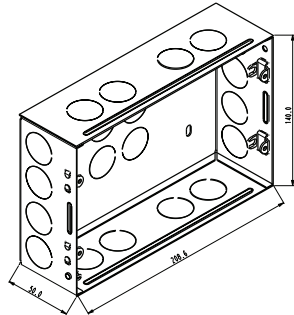
6M



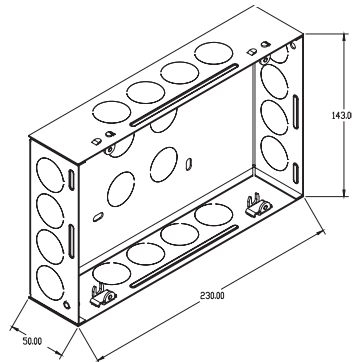
8M (H)



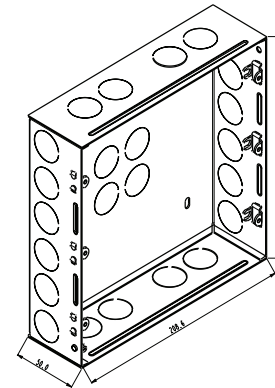
8M (S)



12M



16M

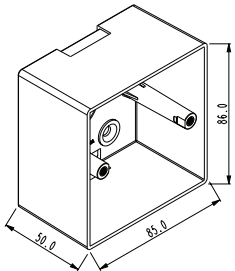


18M

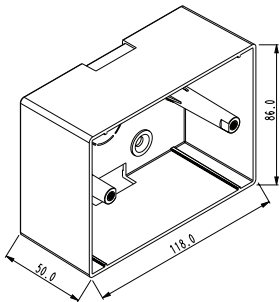
All dimensions are in mm.

PLASTIC SURFACE BOXES

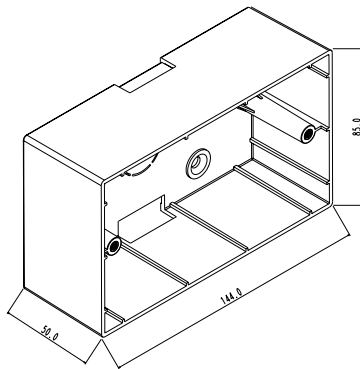
DIMENSIONS



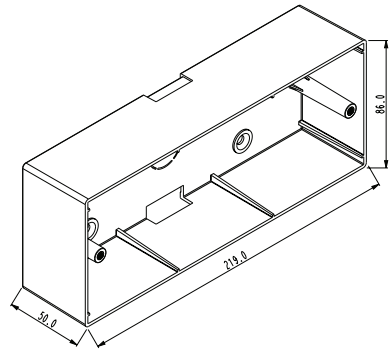
1M & 2M



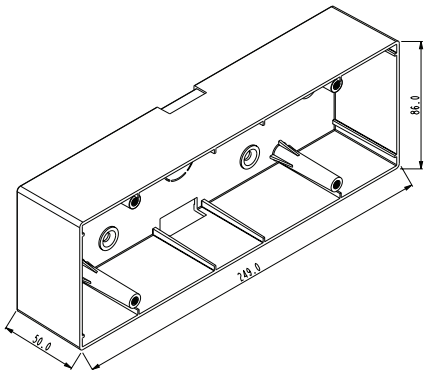
3M



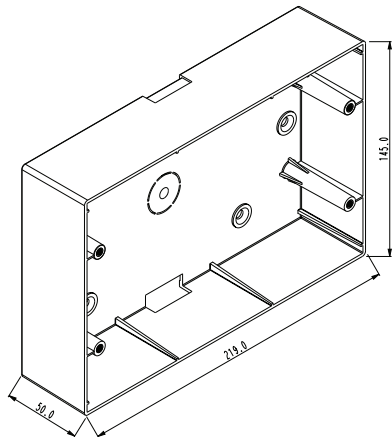
4M



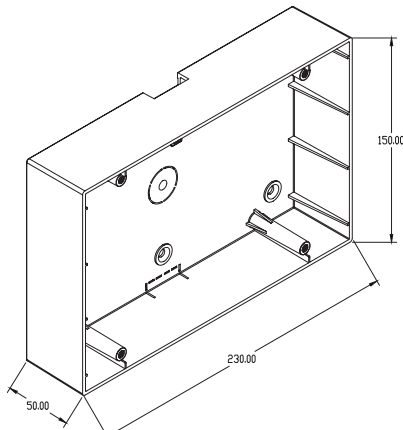
6M



8M



12M



16M

All dimensions are in mm.

GURUGRAM

Unitech Trade Center,
5th Floor, Sector 43, Block C,
Sushant Lok, Phase 1,
Gurgaon - 122 022
Tel: +91-124-4975050
Fax: +91-124-6715014
E-mail: eccdelhi@honeywell.com

BARODA

2nd Floor, Startrek,
Opp. Rajlakshmi Complex,
Old Padra Road,
Baroda - 390 005
Tel: +91-265-6699600
Fax: +91-265-6699610
E-mail: eccbaroda@honeywell.com

MUMBAI

Eco-elite Building,
2nd Floor,
Marol Maroshi Road, Marol,
Next to Zakaria Industrial Estate,
Andheri (E), Mumbai - 400 059
Tel: +91-22-67650680/81
Fax: +91-22-67650682
E-mail: eccmumbai@honeywell.com

**FOR FURTHER DETAILS,
PLEASE REACH US AT :**

Toll Free Number : 1800-103-3848
Monday to Saturday : 10AM - 07PM
Whatsapp : +91 81306-91299
email : eesteamindia@honeywell.com
website : honeywellsmarthomes.com

PUNE

Plot No. 56/57,
Hadapsar Industrial Estate,
Pune - 411 013
Tel: +91-20-66039400
Fax: +91-20-66039800
Email: eccpune@honeywell.com

KOLKATA

Srijan Techpark,
8th Floor, DN-52,
Salt Lake, Sector-V,
Kolkata - 700 091
Tel: +91-33-66283693/94
Fax: +91-33-66283701
E-mail: ecckolkata@honeywell.com

BENGALURU

3rd Floor, Chambers @ Mantri,
Municipal No. 10,
Richmond Road,
Bengaluru - 560 025
Tel: +91-80-67124120/21/22/23
E-mail: eccbangalore@honeywell.com

CHENNAI

5th, 6th & 7th Floor,
KRM Plaza, North Tower,
#2 Harrington Road,
Chetpet, Chennai - 600031
Tel: +91-44-66085600
Email: eccchennai@honeywell.com

HYDERABAD

8-2-418, Krishnama House,
3rd Floor, Road No. 7,
Banjara Hills,
Hyderabad - 500 034
Tel: +91-40-66030900/70
Fax: +91-40-66030971
E-mail: ecchyderabad@honeywell.com